

MKH 30 P 48

Microphones | RF Symmetrical Capsule Condenser Microphone

Cat. No. 002872

General Description

The symmetrical transducer design of the figure-of-eight MKH 30 produces an unusually wide and smooth frequency response. It is particularly suited to soloists and small instrumental groups and can also serve as an 'S' microphone in MS stereo applications. As a support microphone it is particularly useful in the effective suppression of sounds from adjacent sound sources.



Cable pictured is an accessory not supplied with the microphone

Technical Data

Pick-up pattern	figure-of-eight
Frequency response	40 – 20,000 Hz
Sensitivity (free field, no load, 1 kHz)	25 (8) mV/Pa ± 1dB
Nominal impedance	150 Ω
Min. terminating impedance	1 kΩ
Equivalent noise level	
A-weighted (DIN IEC 651)	13 (19) dB
CCIR-weighted (CCIR 468-3)	22 (28) dB
Max. sound pressure level	134 (142) dB at 1 kHz
Power supply	phantom 48 ± 4 V
Supply current	2 mA
Dimensions	∅ 25 x 174 mm
Weight	approx. 110 g

Values in parentheses with attenuator switched on (-10 dB)

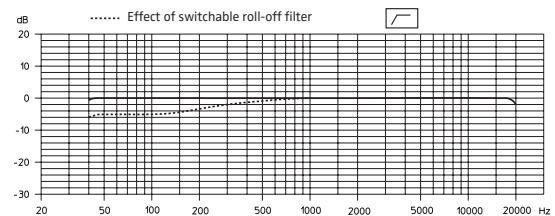
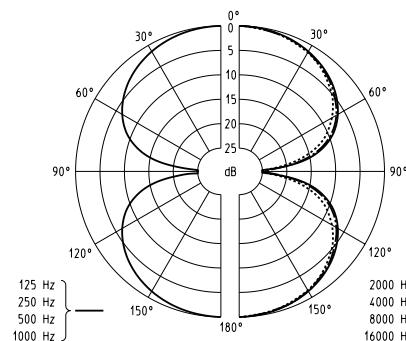
Features

- High rejection of lateral sounds
- Exceptionally low inherent self-noise
- Symmetrical transducer technology ensures extremely low distortion
- Transformerless and fully floating balanced output
- Switchable roll-off filter to compensate for proximity effects at a distance of approx. 0.5 m
- Switchable pre-attenuation
- Black, anodised light metal body
- Delivery includes: 1 MKH 30, 1 MZS 80 shock mount, 1 MZW 41 windshield

Recommended Accessories

- MZA 14 P 48 U battery power supply unit
- MZT 441 table stand
- MZT 100 table stand
- MZD 30 dual clip, for MS stereo
- MZB 415 fish pole
- MZS 80 shock mount
- MZW 41 foam windshield
- MZP 40 popshield
- MZS 20-1 shock mount
- MZW 20-1 basket windshield
- MZH 20-1 hairy cover

- Cat. No. 002960
- Cat. No. 000799
- Cat. No. 001883
- Cat. No. 002990
- Cat. No. 000972
- Cat. No. 003685
- Cat. No. 029681
- Cat. No. 003132
- Cat. No. 003609
- Cat. No. 003606
- Cat. No. 003610



Profile

Figure-of-eight studio directional microphone with switchable pre-attenuation and switchable roll-off filter. Frequency response 40 – 20,000 Hz, sensitivity (free field, no load) 25 (8) mV/Pa ± 1 dB at 1 kHz, nominal impedance 150 Ω, min. terminating impedance 1 kΩ, equivalent noise level A-weighted 13 (19) dB, CCIR-weighted 22 (28) dB, max. SPL 134 (142) dB at 1 kHz, phantom powering 48 ± 4 V, supply current 2 mA, dimensions ∅ 25 x 174 mm, weight approx. 110 g. Values in parentheses with attenuator switched on (-10 dB).