



H A Harman International Company

# C 2000 B

## Stage and Studio Condenser Microphone

### Description

The C 2000 B is a versatile, side-address cardioid condenser microphone intended for professional and home studio applications as well as on-stage activities. It consists of a patent pending one-half inch capsule element which is placed in a larger baffle ring. This measure gives the C 2000 B more forward directionality at high frequencies. The microphone's response is tailored to have a broad on-axis rise at high frequencies, while maintaining a fairly uniform diffuse field over the entire frequency band. The added presence at very high frequencies is an asset in many micing situations, especially home recording studios, while maintaining good feedback rejection in live sound applications.

Its 0.5% THD point of 140 dB (150 dB with the integral 10-dB pad engaged) and high sensitivity of 20 mV/Pa indicate that this model can deliver maximum operating output signals in the range of 4 volts. The self-noise floor is 20 dB (A), giving the microphone an effective dynamic range of 120 dB. An integral bass cut switch provides a gentle 6 dB per octave roll-off below 500 Hz, and as such will compensate for the proximity effect (low frequency boost) associated with close micing.

The cardioid polar pattern, has been refined to give maximum rejection across the frequency band at 180 degrees. Internal shock mounting of the diaphragm assembly makes this model studio friendly and easy to use in demanding live performances. The SA41/1 stand adapter is included. Optional accessories include the B18E battery supply unit and the H 100 external elastic shock suspension.



### Specifications

<b>Transducer type:</b>	Prepolarized condenser
<b>Frequency response:</b>	30 Hz to 20 kHz
<b>Sensitivity at 1 kHz:</b>	20 mV/Pa (-34 dBV)
<b>Polar pattern:</b>	Cardioid
<b>Pre-attenuation:</b>	10 dB
<b>Bass cut filter:</b>	6 dB/octave below 500 Hz
<b>Impedance:</b>	200 ohms
<b>Recommended loading:</b>	>1000 ohms
<b>Equivalent noise level (A-weighted):</b>	20 dB
<b>Sound pressure level for 0.5% THD:</b>	140 dB (150 dB with 10 dB pre-attenuation)
<b>S/N ratio (A-weighted):</b>	74 dB
<b>Power requirement:</b>	<input type="checkbox"/> Phantom powering, 9 to 52 Vdc
<b>Current consumption:</b>	<2 mA
<b>Output connector:</b>	3-pin XLR-M
<b>Finish:</b>	champagne
<b>Size:</b>	2.1 in. diameter (53 mm); 6.3 in. length (159 mm)
<b>Net/shipping weight:</b>	11.5 oz. (325 g)/2.1 lb. (950 g)
<b>Included accessories:</b>	SA 41 stand mount
<b>Optional accessories:</b>	B 18 E battery power supply H 100 elastic shock suspension

### Features

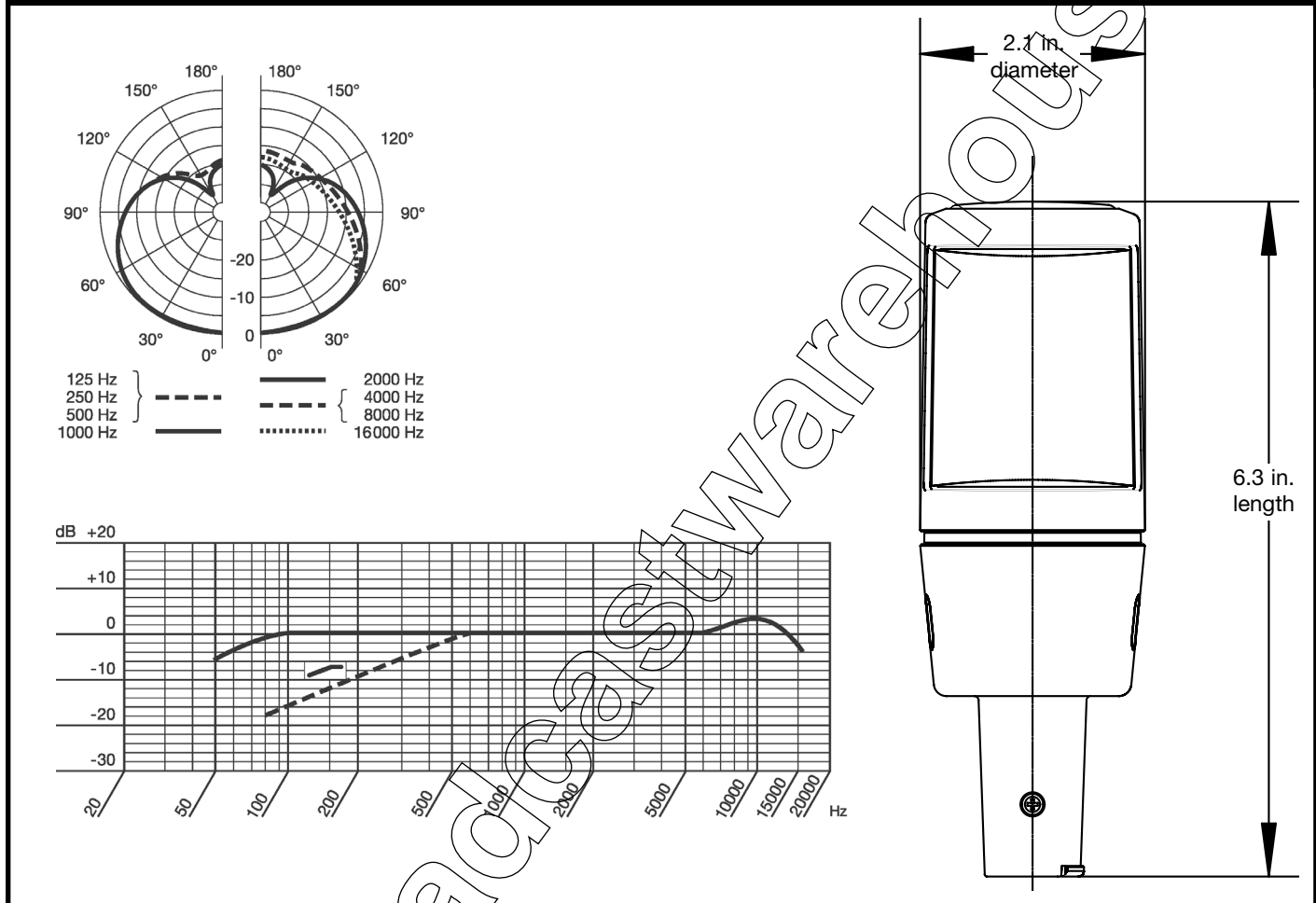
- Wide dynamic range of 120 dB
- Transformerless output for ultra low LF distortion
- Frequency response shaped for studio applications and highest gain before feedback
- Pre-attenuation (-10 dB)
- Bass roll-off provided (6dB/octave below 500Hz)
- Dedicated cardioid polar pattern

# Architects and Engineers Specifications

The microphone shall be a 0.5-inch diameter condenser model with a single dedicated cardioid pickup pattern. The microphone's sensitivity shall be no less than 20 mV/Pa. The microphone's equivalent noise level shall be no greater than 20-dB (A), and at an operating level of 140 dB the microphone's total harmonic distortion shall be no greater than 0.5%. The microphone shall include a pre-attenuation switch of 10-dB and a bass roll-off switch

of 6 dB per octave commencing at 500 Hz. The microphone shall operate with phantom power over the range from 9 Vdc to 52 Vdc. The microphone shall have a diameter no greater than 2.1 in. (53 mm) and a length no greater than 6.3 in. (159 mm). The net weight of the microphone shall be no greater than 11.5 oz. The microphone shall be the AKG Acoustics Model C 2000 B.

## Graphical Data



AKG is constantly improving and modifying its products, therefore, specifications are subject to change without notice.

### Limited Warranty

Valid only in the United States. AKG Acoustics warrants AKG products against defects in material or workmanship for a period of three years from the date of original purchase for use, and agrees to repair or, at our option, replace any defective unit without charge for either parts or labor. Important: This warranty does not cover damage resulting from accident, misuse or abuse, lack of reasonable care, the affixing of any attachment not provided with the product, loss of parts or connecting the product to any but the specified receptacles. This warranty is void unless service or repairs are performed by an authorized service center. No responsibility is assumed for any

special, incidental or consequential damages. However, the limitation of any right or remedy shall not be effective where such is prohibited or restricted by law. Simply take or ship your AKG product prepaid to our service department. Be sure to include your sales slip as proof of purchase date. (We will not repair transit damage under the no-charge terms of this warranty.) Note: No other warranty, written or oral is authorized by AKG Acoustics, Inc. This warranty gives you specific legal rights, and you may also have other rights which vary from state to state. Some states do not allow the exclusion or limitation of incidental or consequential damages or limitation on how long an implied warranty lasts, so the above exclusions and limitation may not apply to you.

Microphones · Headphones · Wireless Microphones · Wireless Headphones · Headsets · Electroacoustical Components



**AKG Acoustics GmbH**  
Lemböckgasse 21-25, P.O.B. 158, A-1230  
Vienna/AUSTRIA  
Tel: (43 1) 86 654-0\*, Fax: (43 1) 86 654-516  
Internet: <http://www.ake.com>

**AKG Acoustics;** A Division of Harman Pro Germany  
Bodenseestraße 228, D-81243 München/GERMANY  
Tel: (089) 87 16-0, Fax: (089) 87 16-200

**Arbiter Pro Audio**  
Wilberforce Road, London NW9 6AX/ENGLAND  
Tel: (0181) 202 1199, Fax: (0181) 202 7076

**AKG ACOUSTICS, U.S.**  
914 Airpark Center Drive  
Nashville, TN 37217, U.S.A.  
Tel: (615) 620-3800, Fax: (615) 620-3875

**Studer Japan Ltd.**  
2-43-7, Uehara, Shibuya-ku, Tokyo 151-0064/JAPAN  
Tel: (813) 3465-2211, Fax: (813) 3465-2214

**Erikson Pro Audio**  
620 McCaffrey, St-Laurent, Quebec, H4T 1N1, CANADA  
Tel: (514) 738-3000, Fax: (514) 737-5069  
Internet: [www.jam-ind.com/eriksonpro](http://www.jam-ind.com/eriksonpro)

Specifications subject to change without notice.

DS-C 2000 B