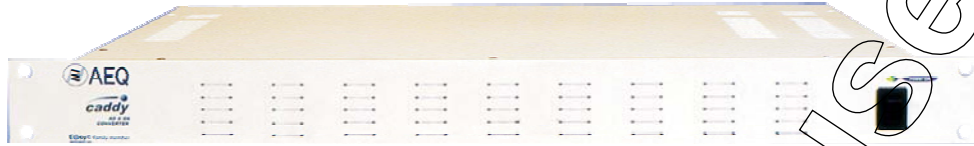




## CADDY MULTICHANNEL AD & DA CONVERTER



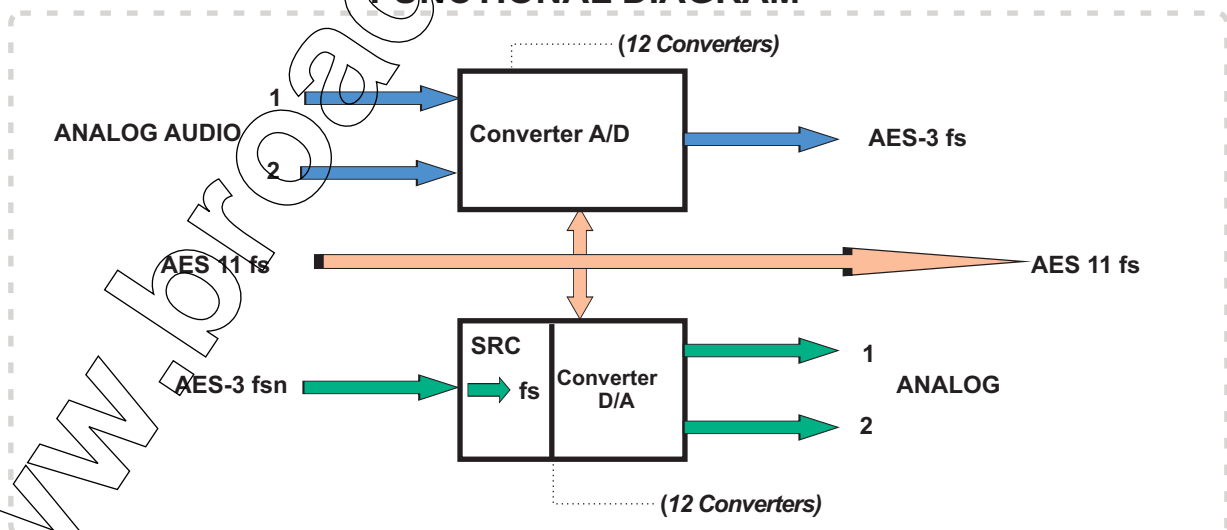
In one single rack unit, the following is included:

- 12 converters transforming 2 analog audio channels to one AES-EBU (AES 3) digital stereo audio channel.
- 12 converters transforming an AES-EBU (AES 3) digital stereo audio channel to analog audio.

### BENEFITS AND SPECIAL FEATURES

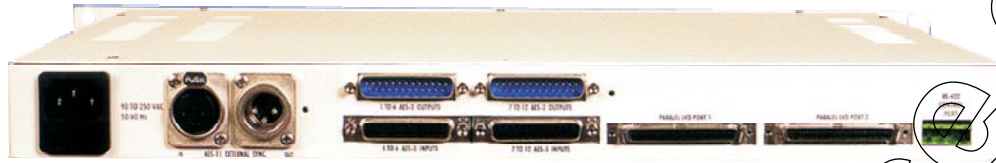
- The sampling rate, both internal and at the outputs, follows that of the AES 11 sync input. By default, it is 48 KHz.
- Sampling rate converter ( SRC ) at all digital inputs. Sample rates from 32 to 96 KHz.
- High integration level: 12 converters A/D and 12 D/A in a single rack unit.
- Excellent audio quality: 24 bits per sample, dynamic range > 100 dB , THD + N < -80 dB, analog audio level to +22 dBv.

### FUNCTIONAL DIAGRAM



One of the 12 analog-digital blocks is described as well as one digital-analog block, and the control that the sync signal has over both of them.

## CADDY MULTICHANNEL AD & DA CONVERTER



Ed. 12/04

### TECHNICAL FEATURES

- 24 physical analog audio inputs with electronic balancing.
- 12 AES-EBU (AES-3) physical digital audio outputs.
- 12 AES-EBU (AES-3) physical digital audio inputs with SRC.
- 24 physical analog audio outputs with electronic balancing.
- AES-EBU (AES 3) sync input and follower output.
- Default fs 48 kHz.
- Standard allowable fs: 8 kHz, 16 kHz, 22.05 kHz, 32 kHz, 44.1 kHz and 48 kHz
- 24 bits per sample.
- Response frequency: 20-20,000  $\pm$  1dB.
- Total harmonic distortion + noise @1 KHz < -80 dB.
- Maximum analog audio level: + 22 dBu.
- Analog input impedance > 6 Kohms.
- Analog output impedance: < 66 ohms.
- Analog input connectors: DB 25 female.
- Digital output connectors: DB 25 male.
- Digital input connectors: DB 25 female.
- Analog output connectors: DB 25 male.
- Sync input connector: XLR female.
- Follower sync output connector: XLR male.
- Power requirements: 85-264V AC 50/60Hz, 45W.
- Format 1u x 19" (482.6 x 44.5 mm).

AEQ Internacional : 28914 Leganés / MADRID (SPAIN) Phone: 34 91 686 13 00 - Fax: 34 91 686 44 92  
e-mail: [aeqsales@aeq.es](mailto:aeqsales@aeq.es) - <http://www.aeq.es>

AEQUUSA: 4121 SW 47 Avenue, Suite 1303 Fort Lauderdale FL 33314 Telf.: 954 - 581 7999 Fax.: 954 - 581 7733  
e-mail: [sales@aeqbroadcast.com](mailto:sales@aeqbroadcast.com) - <http://www.aeqbroadcast.com>